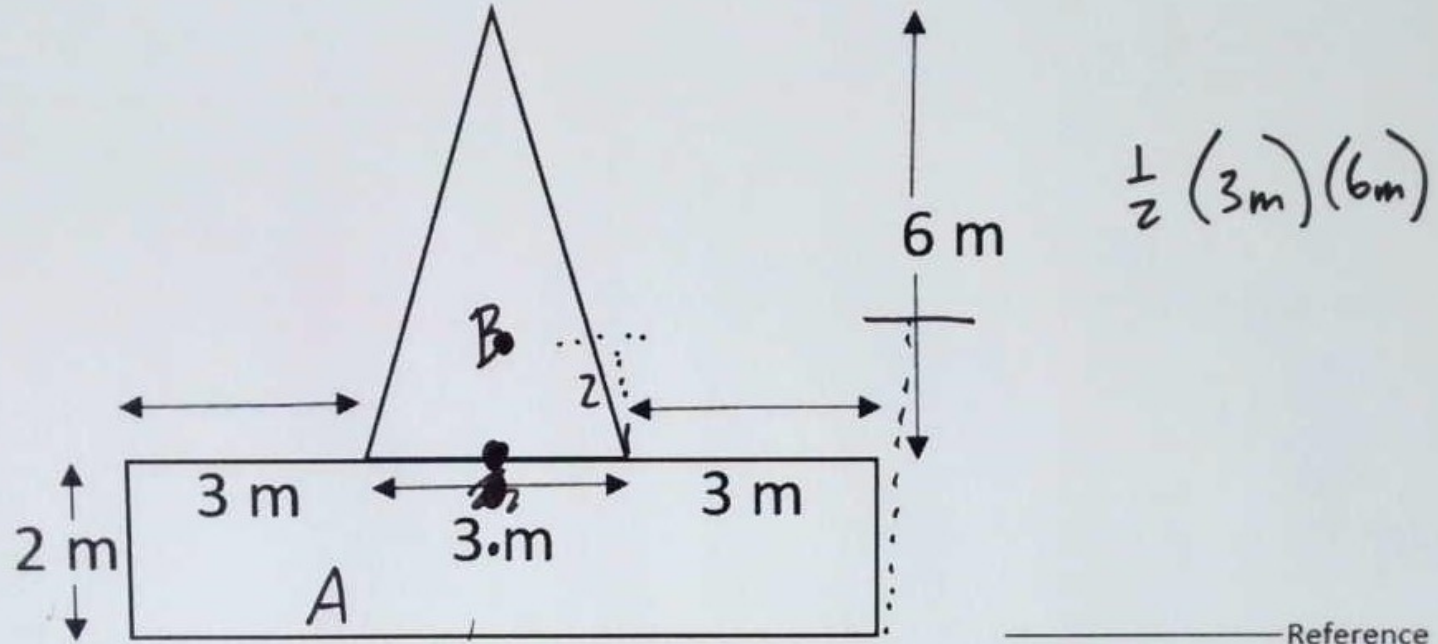


Calculate the y-coordinate of the centroid of the plane area shown below.



| | y | Area |
|---|----|---------|
| A | 1m | $18m^2$ |
| B | 4m | $9m^2$ |

$$y' = \frac{(1m)(18m^2) + (4m)(9m^2)}{(18m^2 + 9m^2)}$$

$$y' = 2m$$